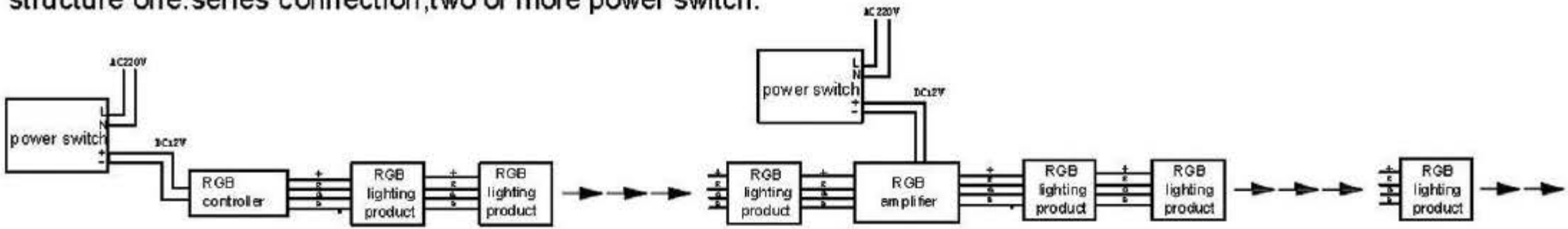
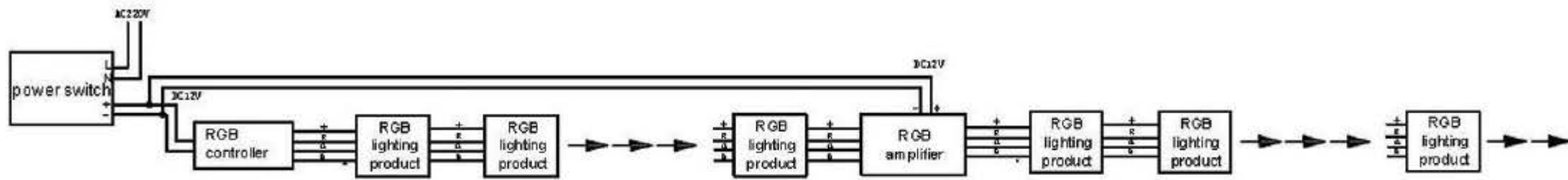


Technical Data for LED Amplifier

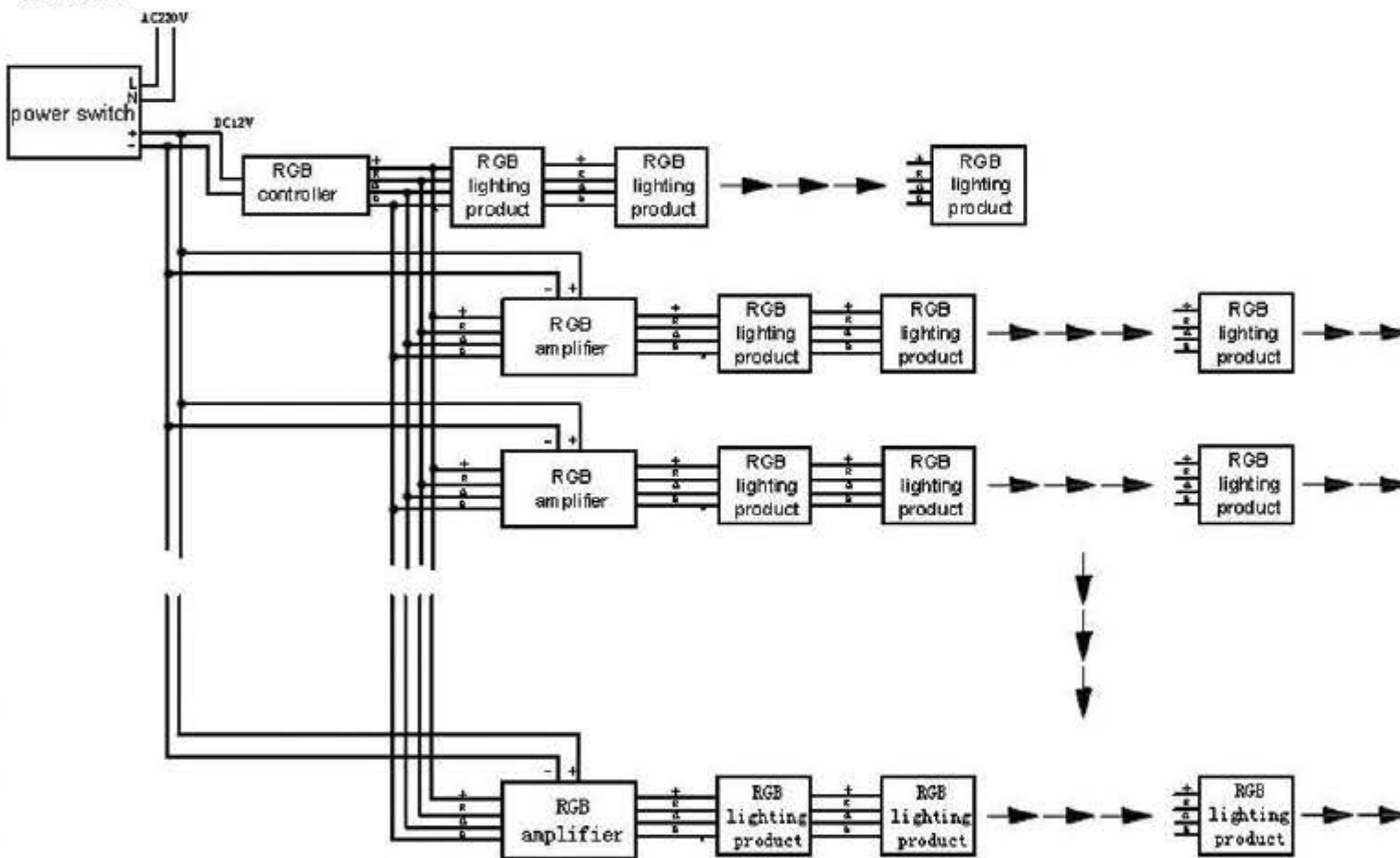
structure one: series connection, two or more power switch.



structure two: series connection, one power switch.



structure three: parallel connection, one power switch



structure four: parallel connection, two or more power switch

