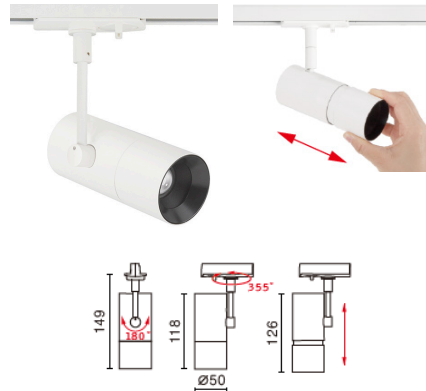


EXT366 EXT4-366 G366
 6W Beam Angle Adjustable Energy Saving
 Track Head / Surface Mount Spot Light



GRC Lighting
 R & C Agency International
 Lighting Specialists for over 15 years



Description: 6 Watt compact mini LED track fitting featuring beam angle adjustable function. Eco-friendly LED. Mechanism that can be pushed forward and backward to adjust the beam angle easily between 15° and 40°. Neat appearance and compact body. TRIAC dimmable. 355° swivel horizontally and 90° or 180° tilt vertically. Deep front lamp offering better glaring control. With its exquisite light distribution, it is not only suitable for highlighting artworks, but can also be applied in home setting.

Material: Aluminium

Dimmable: Yes

Include Driver: Yes



Item Code	Mounting Type	Wattage	Input	Lumen Output	Beam	Colour Temp	Fitting Colour	Head Size D x H
EXT366	Single Circuit	6W	350mA, 17V	600 Lm / 618 Lm	15° to 40°	3000K / 4000K	Black / White	50 x 118 mm
EXT4-366	Three Circuit	6W	350mA, 17V	600 Lm / 618 Lm	15° to 40°	3000K / 4000K	Black / White	50 x 118 mm
G366	Surface Mount	6W	350mA, 17V	600 Lm / 618 Lm	15° to 40°	3000K / 4000K	Black / White	50 x 118 mm

Item Code	EXT366HONEYCOMB	EXT366SCULGLASS	EXT366TEXTGLASS
Image			
Function	Helps to lower glare and increases control of light spill	Special use, purpose designed glass used to turn beam from round shape into either a horizontal or vertical rectangular shape. Rotate the glass to rotate the orientation of rectangle. Useful for display of artwork. Further diffuses light compared to stock glass.	

R&C AGENCY INTERNATIONAL
 94 Wecker Road,
 Mansfield, QLD, 4122
 Email: sales@rcagency.com.au
 Ph: (07) 3216 2888
 Fax: (07) 3216 2999
 Opening Hour:
 8:00am to 4:30pm Monday to Friday
 *Showroom by appointment only

Care is taken to ensure specifications are correct at time of production however R&C Agency reserves the right to change or modify specifications and product availability at any time without prior notification. * Refer to our trade terms for full warranty conditions.