

W-1005 2.5W Hardscape Ledge Light



GRE Lighting

R & C Agency International
Lighting Specialists for over 15 years



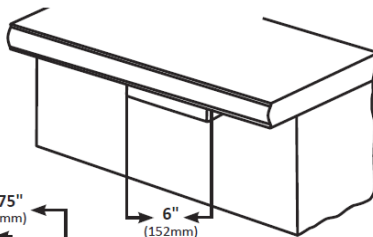
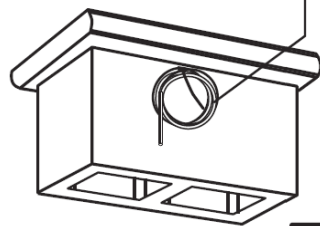
**IP
65**

Description: IP65 Low profile Ledge Light featuring architectural aluminum construction, and heat-resistant frosted tempered glass. Beautiful extra warm white uniform light distribution makes this an ideal fitting for accentuating key hardscape features. Features replaceable module which can be safely and easily changed by end user.

Item Code	Wattage	Colour Temperature	Fitting Colour	Size
W-1005BK27K	2.5W	2700K	Black	23.2x 70 mm (exposed area only) (Refer to diagram below for clarification)

Fixture Installation

10 feet, 18/2 Black direct burial wire secured to back of block wall.



Locate fixture in the hardscape. Test fixture placement and spacing before adding mortar and installing the cap.

The luminaire or fitting is only for use with low voltage landscape lighting power units with a maximum output rating of 12 volts, 300 watts per secondary.

WARNING: Risk of electric shock. Install luminaire 10 feet or more from a pool, spa or body of water.

WARNING: DO NOT feed wires through separate slots. This will cause wiring to twist within the fixture and may result in a fire hazard or short circuit. Personal injury or property damage may result.

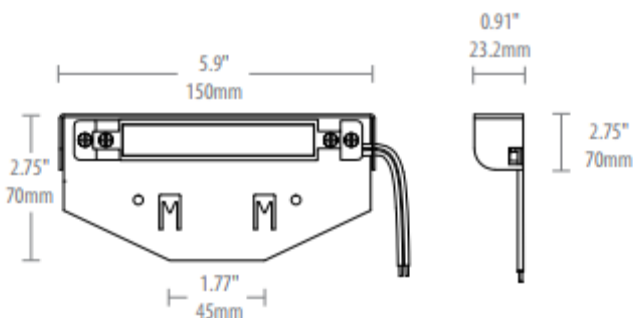
Heavy guage formed 1060 Aluminum body.

Injection molded frosted lens.

Intergrated LED light source.

Brick or Block Wall

With the fixture now placed in your hardscape, route the lead wires to your electrical panel. Cable must be rated for direct burial for use with low voltage 30v and under.



R&C AGENCY INTERNATIONAL

94 Wecker Road,
Mansfield, QLD, 4122

Email: sales@rcagency.com.au
Ph: (07) 3216 2888
Fax: (07) 3216 2999

Opening Hour:
8:00am to 4:30pm Monday to Friday
*Showroom by appointment only