

SR-2108EA-5CH
 Pro Series 5 Channel PWM DMX512
 Decoder with RDM



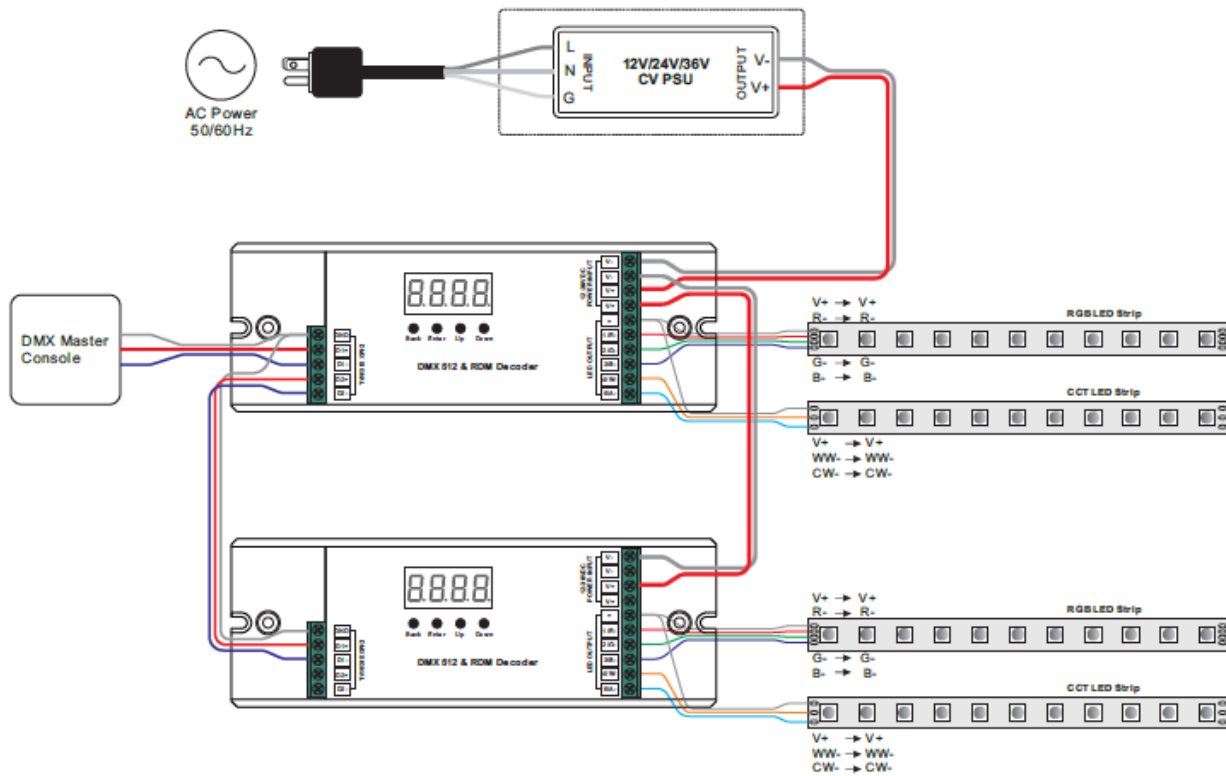
GRC Lighting
 R & C Agency International
 Lighting Specialists for over 15 years



Description: Professional series 5 channel DMX512 RDM Decoder suitable for RGBW, RGB, RGB+CCT colour tunable, and tunable white LED strips and neon products. **Supports RDM function.** Has Galvanic isolation. We suggest to only use up to 80 % of the rated maximum. E.g. 12V input would be 144W total for an RGB product. (80% of 12V x 3CH x 5A)



Item Code	Input	Output Current	Dimming Protocol	Dimming Range	Size L x W x H
SR-2108EA-5CH	12-36V DC	UP TO 5 CH x 5A	DMX512 (with RDM support)	0% to 100%	170 x 53.4 x 28 mm



R&C AGENCY INTERNATIONAL

94 Wecker Road,
 Mansfield, QLD, 4122

Email: sales@rcagency.com.au
 Ph: (07) 3216 2888
 Fax: (07) 3216 2999

Opening Hour:
 8:00am to 4:30pm Monday to Friday
 *Showroom by appointment only